



KAUSTAV ENGINEERING **MECHANICAL TRAINING** **PROGRAM**

Unlock Your Potential in
Mechanical Engineering!

Embark on a Journey of Innovation
and Excellence with Our
Specialized Mechanical
Engineering Training

Welcome to KAUSTAV
ENGINEERING, Your Catalyst for
Mechanical Engineering Success!
Explore the vast world of
mechanical engineering with our
industry-focused training program.
At KAUSTAV ENGINEERING, we
nurture future engineers and
innovators by providing cutting-
edge education and hands-on
experience.

GET IN TOUCH



+919831072858



info@kaustavengineering.com



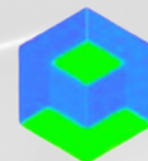
H.No-5,Gopalthan, Opp.to
Raddission Blue
Hotel,Gotanagar,Guwaha
ti, Assam-781011

Elevate Your Skills,
Engineer Your Success.

Join Kaustav Engineering
Training Program Today!

Kaustav Engineering:

Crafting Engineers,
Shaping Futures...



KAUSTAV
ENGINEERING
Mechanical Equipments Solution

Explore the Depths of Mechanical Engineering Knowledge

COURSE HIGHLIGHTS

- **Explore the Depths of Mechanical Engineering Knowledge**
- **Dive into a comprehensive program covering key areas:**
- **Basics of Mechanical Engineering applications with International standards**
- **Mechanical Engineering and Design**
- **Advanced Materials in Engineering**
- **Sheet Metals**
- **Welding symbols , calculations, edge preparation and analysis.**
- **Welding Testing & Fatigue analysis**
- **Mechanical Drafting(AutoCad Mechanical)**
- **3D Modelling (Solidworks, SolidEdge)**
- **Engineering Project Management**
- **Industrial Internship Opportunities**

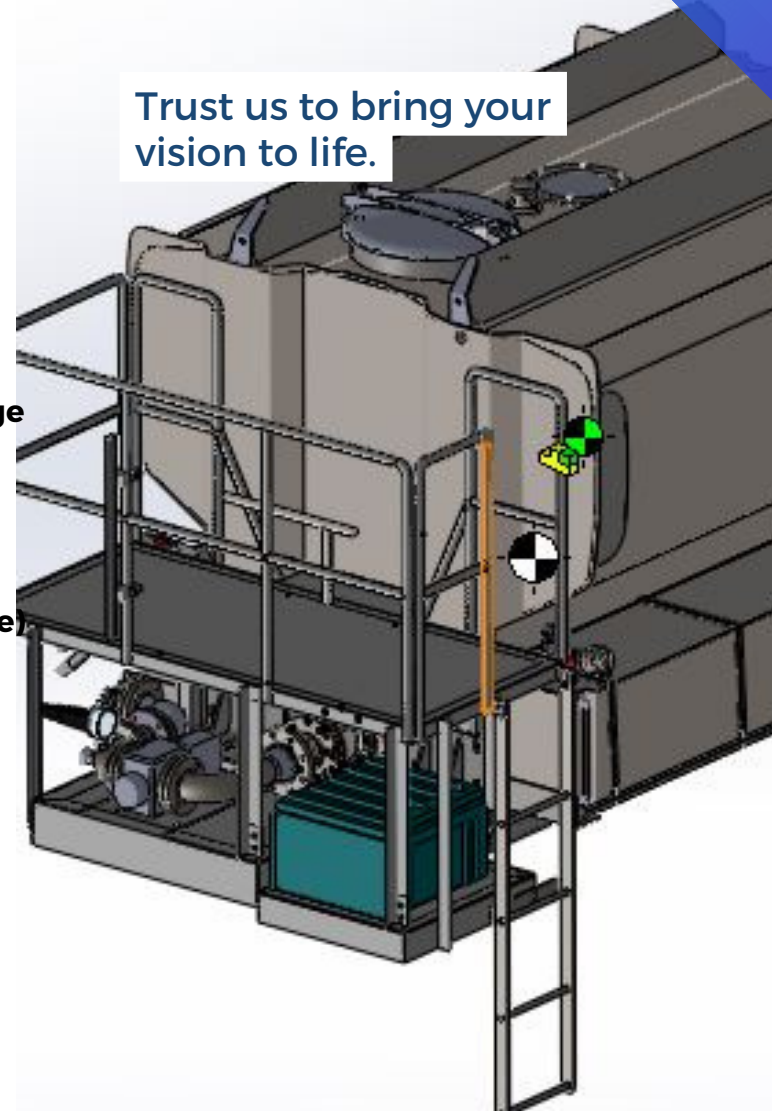
Forge Your Path with Kaustav Engineering

Join Today

E: info@kaustavEngineering.com
M: +919831072858

- ▶ **Kaustav Engineering Training Program**
- ▶ **Your Path to Engineering Excellence.**
- ▶ **"Transforming Aspirations into Achievements"**

Trust us to bring your vision to life.



TRAINING METHODOLOGY

- **Experiential Learning for Lasting Impact**
- **Our training approach emphasizes experiential learning, encouraging students to apply theoretical knowledge to real-world challenges.**
- **Engage in collaborative projects, workshops, and industry case studies to sharpen your problem-solving skills.**

WHY CHOOSE KAUSTAV ENGINEERING

Unlock Your Potential in
Mechanical Engineering!

- **Industry-Driven Curriculum:** Stay ahead with a curriculum crafted in collaboration with industry experts
- **Advanced Facilities:** Training with live project and with the latest technology.
- **Expert Instructors:** Learn from seasoned professionals who bring real-world insights to the classroom.
- **Practical Application:** Bridge the gap between theory and practice through hands-on projects and simulations.

GET IN TOUCH



+919831072858



info@kaustavengineering.com



H.No-5,Gopalthan, Opp.to
Raddission Blue
Hotel,Gotanagar,Guwaha
ti, Assam-781011



Kaustav Engineering Training:

**Building Foundations, Fueling
Ambitions.**



**KAUSTAV
ENGINEERING**
Mechanical Equipments Solution